

# Fast Acting Floor Polish Remover



When dosing concentrate chemicals always use the recommended PPE, and always read the labels to check best practice for handling both the undiluted & ready to use solutions.

## Product Usage Guide

### Professional



### BD095-5



**Recommended Dosage**

**Removal with mop** -  
800ml per 5 litres of water.

**Removal with Machine** -  
100ml per 5 litres of water.



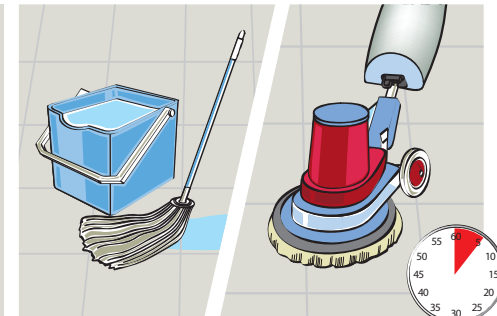
**1** Use appropriate PPE as indicated in the Safety Data Sheet.



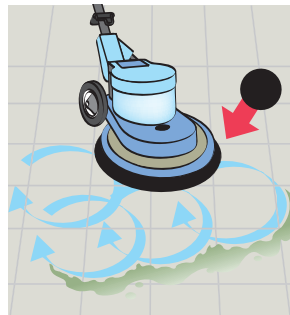
**2** Sweep floor.



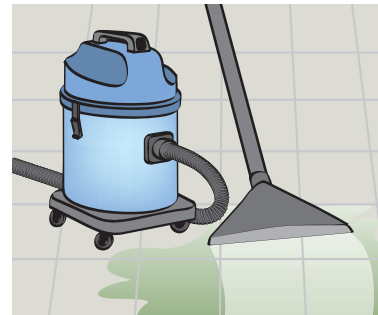
**3** Dilute following the recommended dosage guide.



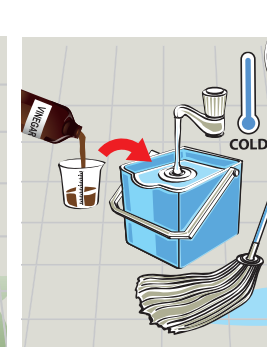
**4** Apply solution liberally to the floor using mop or scrubber. Leave for 5 minutes but do not let dry.



**5** Agitate with mop or scrub with floor machine with black stripping pad.



**6** Remove slurry with wet suction machine or mop.



**7** Rinse with a solution of 1 capful of vinegar per 5 litres water to neutralise.



**8** Once surface is dry, remove Safety Signs.



Use your preferred Jangro floor seal &/or polish for the best finish.

**Health & Safety**  
Please refer to the Safety Data Sheet



Scan for further product details