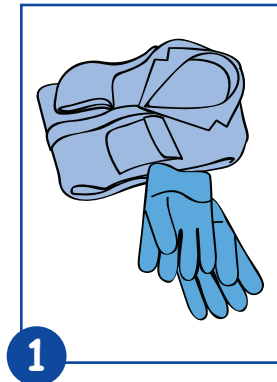


JANGRO Product Guide



Sovereign Total Floor Treatment BD265-5



1

Use appropriate PPE as indicated in COSHH/REACH data.



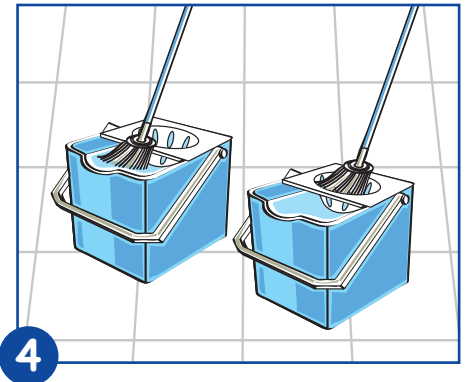
2

Place safety signs.



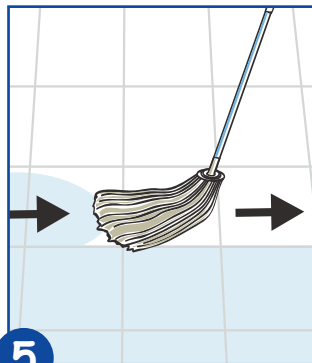
3

Pour polish into bucket or tray (undiluted).



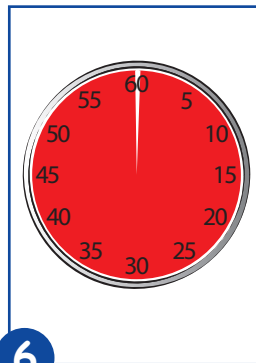
4

Place mop or applicator into polish. Lightly squeeze out surplus.



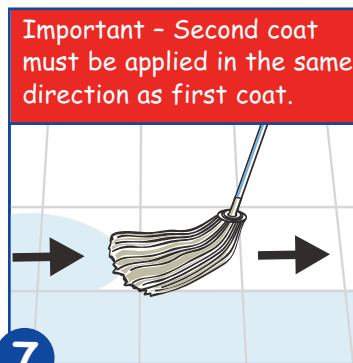
5

Apply polish to dry floor thinly and evenly.



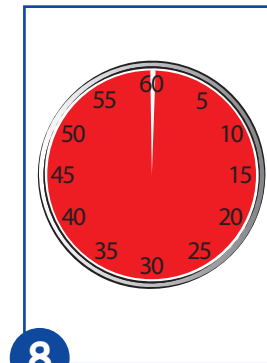
6

Leave to dry for at least 1 hour.



7

Apply a further coat of polish leaving 10cm gap from skirting board.



8

Leave to dry for at least 1 hour.



9

Remove safety signs.

Health & Safety
Please refer to relevant
COSHH Sheet.